

Stainless Steel Heat Exchanger EXCLUSIVE

Designed to prevent corrosion, warping and weld breakage. Built to last decades, not years.

Digital Hour Meter STANDARD

Tracks runtime

Accutemp Preheater PATENTED

Rapidly heats the widest range of viscosities of used oil, synthetic oils and other acceptable fuels.

Integrated Air Compressor STANDARD

Built in so you don't have to connect to and rely on shop air. Providing 24/7 heating availability.

Side Suction Metering Fuel Pump PATENTED

Reliable, consistent fuel delivery regardless of fuel type (up to 90W) with no manual adjustments.

Low Fuel Cut Off EXCLUSIVE*

Turns off the furnace before running out of fuel – preventing time-consuming troubleshooting, shutdowns and repriming.

*included with fuel delivery kits, complete systems and with furnace only.



Elevated Fuel Pick Up EXCLUSIVE

- 1) Pump can be mounted at the fuel source—instead of on top of the tank—so the pump is flooded with used oil, not air!
- 2) Fuel pick up is six inches above the bottom of the tank, above water and sludge, ensuring only used oil is sent to the furnace.
- 3) Easy spin-on stainless mesh filter.



Flame Retention Head PATENTED

This patented design creates a hotter flame than competitor brands for complete fuel combustion and highest heat output. Less ash is produced resulting in longer maintenance intervals than competitor brands.

Swing Away Burner and Ash Removal Port STANDARD

This convenient combination makes cleaning the chamber faster and easier than any other brand. One tool, 30 minutes or less.

Fuel Gauge STANDARD

Visual indicator of how much used oil is in your tank.

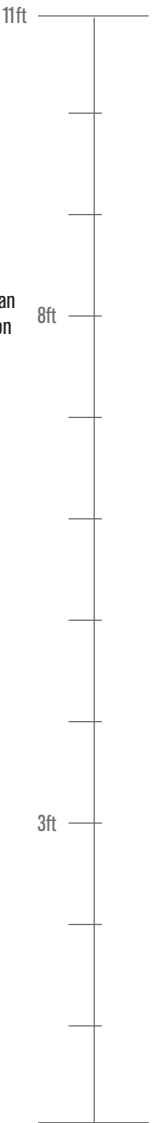
Drain Valve EXCLUSIVE

Makes it simple to purge water or other contaminants that naturally settle in the bottom of the tank.

Class A Flue Kit STANDARD*

Stainless steel interior, double-wall flue kits are UL-listed and meet local codes.

*standard for complete system or sold separately.



Pictured: 200H on 250 tank and Class A Flue Kit.

140H

Heats up to 3,500 square feet



200H

Heats up to 5,000 square feet



350H

Heats up to 9,000 square feet



Furnace Only

| | ENGLISH | METRIC | ENGLISH | METRIC | ENGLISH | METRIC |
|-----------------------------------|----------------------|---------------------------|----------------------|---------------------------|----------------------|---------------------------|
| Fuel Flow Rate | 1.0 gallons/hour | 3.78 liters/hour | 1.4 gallons/hour | 5.3 liters/hour | 2.5 gallons/hour | 9.4 liters/hour |
| BTU Input | 140,000 BTU per hour | 41.6 kW per hour | 200,000 BTU per hour | 58.3 kW per hour | 350,000 BTU per hour | 102 kW per hour |
| Heat Rise Over Input Air | 100° - 120° F | 37.8-48.9 C | 100° - 120° F | 37.8-48.9 C | 100° - 120° F | 37.8-48.9 C |
| Air Flow | 1000 cfm | 28cu. m/min | 1500 cfm | 42cu. m/min | 2600 cfm | 74 cu. m/min |
| Warm Air Outlet Dimensions | 15"W x 15"H | 38cm W x 38cm H | 15"W x 15"H | 38cm W x 38cm H | 15"W x 15"H | 38cm W x 38cm H |
| Exhaust Flue Diameter | 6" or 8" diameter | 15cm or 20cm diameter | 6" or 8" diameter | 15 cm or 20cm diameter | 8" diameter | 20cm diameter available |
| Furnace Dimensions | 18"H x 18"W x 92"L | 46cm H x 46cm W x 234cm L | 18"H x 18"W x 103"L | 46cm H x 46cm W x 262cm L | 22"H x 22"W x 117"L | 56cm H x 56cm W x 297cm L |
| Furnace Weight | 295 lbs | 132 kg | 315 lbs | 142 kg | 415 lbs | 188 kg |

Complete Systems

140H Furnace +
Storage Tank, Draft Gauge and Class A Flue Kit

200H Furnace +
Storage Tank, Draft Gauge and Class A Flue Kit

350H Furnace +
Storage Tank, Draft Gauge and Class A Flue Kit

| | ENGLISH | METRIC | ENGLISH | METRIC | ENGLISH | METRIC |
|---|--------------------|-----------------------------|--------------------|-----------------------------|--------------------|-----------------------------|
| 130 Gal Storage Tank (single wall) | 130 gallons | 492.10 liters | 130 gallons | 492.10 liters | NA | NA |
| Tank Dimensions | 32"H x 30"W x 38"L | 81 cm H x 76cm W x 96cm L | 32"H x 30"W x 38"L | 81 cm H x 76cm W x 96cm L | NA | NA |
| Shipping Weight | 698 lbs | 317 kg | 720 lbs | 327 kg | NA | NA |
| 200 Gal Storage Tank (single wall) | 200 gallons | 757 liters | 200 gallons | 757 liters | NA | NA |
| Tank Dimensions | 32"H x 30"W x 48"L | 81 cm H x 76cm W x 121cm L | 32"H x 30"W x 48"L | 81 cm H x 76cm W x 121cm L | NA | NA |
| Shipping Weight | 750 lbs | 340 kg | 770 lbs | 349 kg | NA | NA |
| 250 Gal Storage Tank | 250 gallons | 946 liters | 250 gallons | 946 liters | 250 gallons | 946 liters |
| Tank Dimensions (single wall) | 32"H x 30"W x 61"L | 81cm H x 78cm W x 152 cm L | 32"H x 30"W x 61"L | 81cm H x 76cm W x 152 cmL | 32"H x 30"W x 61"L | 81cm H x 76cm W x 152 cmL |
| Tank Dimensions (double wall) | 40"H x 31"W x 61"L | 102 cm H x 79cm W x 155cm L | 40"H x 31"W x 61"L | 102 cm H x 79cm W x 155cm L | 40"H x 31"W x 61"L | 102 cm H x 79cm W x 155cm L |
| Shipping Weight (single wall) | 749 lbs | 340 kg | 770 lbs | 349 kg | 899 lbs | 408 kg |
| Shipping Weight (double wall) | 976 lbs | 442 kg | 998 lbs | 453 kg | 1127 lbs | 511 kg |

Approved Fuels

Used crankcase oils, ATF, No. 2 fuel oil, up to 90 weight gear oil and diesel fuel

Electrical Req.

115 VAC 60Hz, 25 amps | maximum dedicated circuit

Warranty

10 years on heat exchanger, five years full and five years prorated
Up to 2 years on parts*

*One year warranty standard. Second year warranty requires product registration within 30 days of product receipt.

Regulation and Certification

EPA approved
UL-Listed - U.S. and Canada

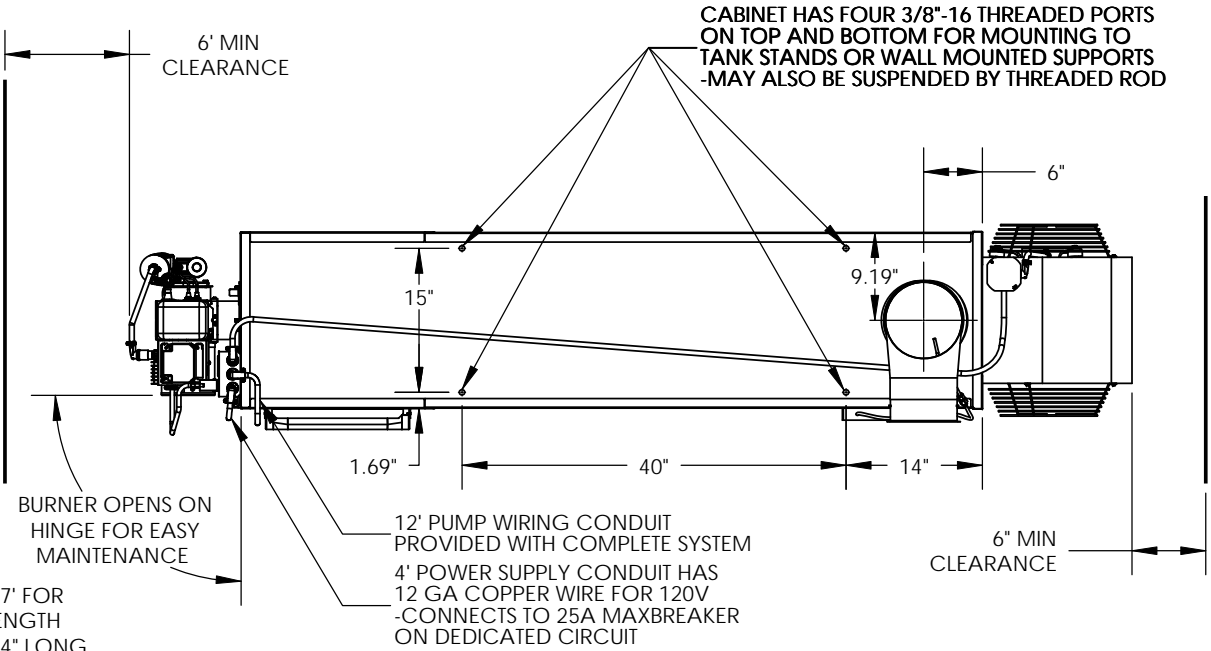
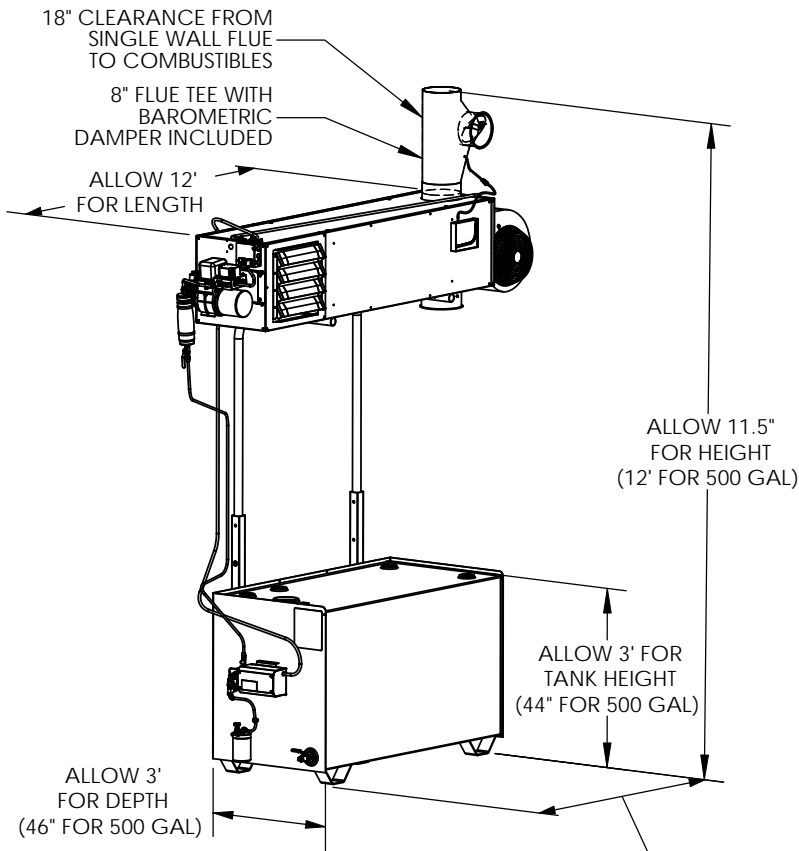


5901 Crossings Boulevard | Antioch, TN 37013
(800) 335-3092 | www.energylogic.com



MODEL EL-200H (SHOWN WITH 250 GALLON SW TANK)

- CABINET WEIGHT WITH BURNER AND BLOWER: APPR 315 LBS
- TANK WEIGHT EMPTY: APPR 425 LBS (600 LBS FOR 500 Gallon SW)
- FLUE DIAMETER: 8"
- FREE AIR DELIVERY: 1500 CFM
- HEATING AREA: APPR 5000 SQ FT WITH 16' CEILINGS



ALLOW 7' FOR TANK LENGTH (TANK IS 5'4" LONG INCLUDING PUMP BRACKETS) (8' FOR 500 GAL)

